
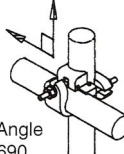
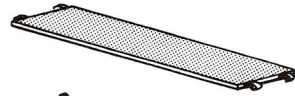

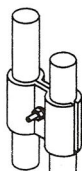
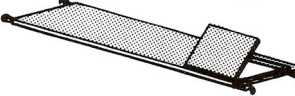

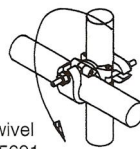
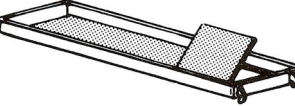
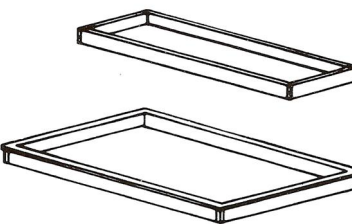



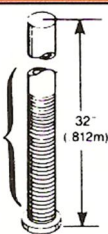


CASTERS • COUPLERS • PLATFORMS

 Base Plate Set of Four Required Single PBP00	 Right Angle P15690	Standard Platform 10' (3.05m) PSP10 8' (2.44m) PSP08 6' (1.82m) PSP06	
 5" (127mm) Caster Set of Four Required Single PCA05	 Parallel P23851	Hatch Platform 10' (3.05m) PHP10 8' (2.44m) PHP08 6' (1.82m) PHP06	
 8" (203mm) Caster Set of Four Required Single PCA08	 Swivel P15691	29" (.736) Wide Toeboard Sets 10' (3.05m) PTB2910 8' (2.44m) PTB2908 6' (1.82m) PTB2906	
		54" (1.37m) Wide Toeboard Sets 10' (3.05m) PTB5410 8' (2.44m) PTB5408 6' (1.82m) PTB5406	

PINS • LEG LOCK • ADJUSTABLE LEG

 Long Pin Clip P14595	 Short Pin Clip P14650	 Leg Lock P14658	 Adjustable Leg P14684 12" (.305m) 32" (.812m)
--	---	---	---

HOW TO READ NUMBER CODES

FOR BASE SECTIONS, EXTENSIONS, END FRAMES, AND GUARD RAILS

For example UEX5456A-06 means:

Scaffold Line	Scaffold Type	Scaffold Width	Frame Height	Scaffold Length
U	EX	54	56	06
U – Uni-Tec All Fiberglass	EX = Extension SB = Span Base QB = Quik-Base GR = Guard Rail	29 = Narrow Wide 29" (.736m) 54 = Double Wide 54" (1.37m)	37 - 3' 7" (1.09m) 40 - 4' 0" (1.22m) 56 - 5' 6" (1.67m) 69 - 6' 9" (2.06m)	10 = 10' (3.04m) set 08 = 8' (2.44m) set 06 = 6' (1.82m) set
A – Made for American Market				